

Electrical Measurements Control

ENERGY SAVING • NETWORK ANALYSIS • MEASUREMENT CONVERSION

T201



AC Current Transformer to DC current (4..20 mA - loop powered)



INPUT

8 selectable scales via DIP-SWITCH
from ± 5 A to 40 A (AC)

- Tiny dimension: 38 x 40 x 20 mm (\varnothing 12,5 mm)
- Power supply: on the output loop 4..20 mA
- Accuracy: better than 0,2%
- Self-consumption < 50 mW
- Low Ripple of output
- Answer Speed checked by auxiliary filter

T201DC



DC Current Transformer to DC current (4..20 mA - loop powered)



EINGANG

8 mit DIP-SWITCH wählbare Bereiche
zw. -25 und +100A (DC)

- Kleine Abmessungen: 38 x 40 x 20 mm (\varnothing 12,5 mm)
- Hilfsspannung: aktiver Ausgang 4..20 mA
- Genauigkeit: besser als 0,2%
- Messprinzip: elektromagnetisch
- Messung Temperaturunabhängig
- Ohne Nebenwiderstand

ISOLATION TESTING AND DAMAGE RESEARCH



USERS ABSORPTION MONITORING



QUALITY CONTROL ENERGY



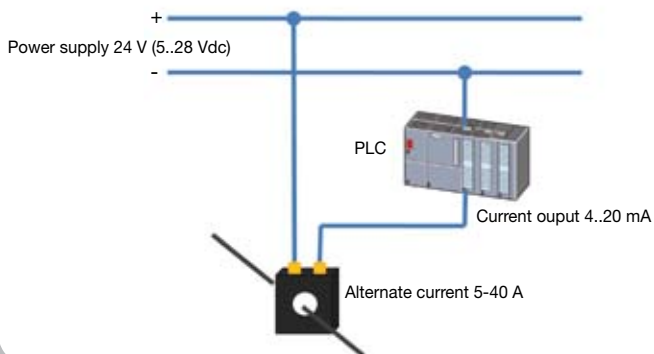
TEST-BED AND ENGINE TESTING



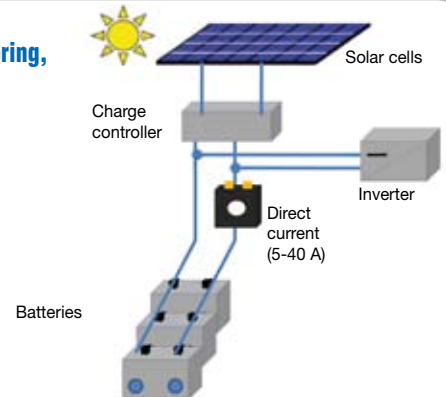
Electrical Measurements Control

TYPICAL APPLICATIONS FOR T201 AND T201DC

Measure conversion for PLC



Photovoltaic System: string current monitoring, inverter input and batteries level.



ELECTRIC PARAMETERS CONVERTERS

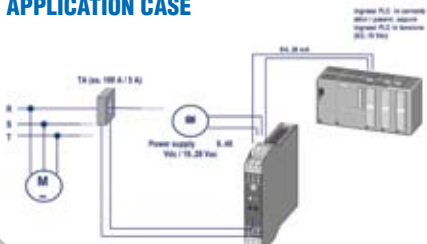
Z201 • Z201-H

AC current to DC current/voltage isolator/converter



- INPUT: current (0.5 / 0..10A)
- OUTPUT: current (0..20 / 4..20 mA), voltage (0.5 / 0..10 / 1..5 / 2..10 V)
- ACCURACY CLASS: 0,3%
- POWER SUPPLY: 19...40 Vdc / 19..28 Vac 50-60 Hz (Z201), 85..265 Vac/dc (Z201-H)
- ISOLATION: 3.750 Vac (output // power supply), 1.500 Vac (other circuits) (Z201); 4.000 Vac (Z201-H)

APPLICATION CASE



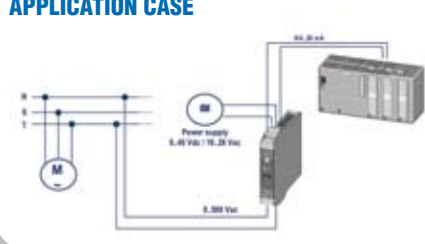
Z202 • Z202-H • Z202-LP

AC voltage to DC current/voltage isolator/converter



- INPUT: voltage, 41 presettled scales, 0..500 V
- OUTPUT: current (0..20 / 4..20 mA), voltage (0.5 / 0..10 / 1..5 / 2..10 V)
- ACCURACY CLASS: 0,25%
- POWER SUPPLY: 19...40 Vdc / 19..28 Vac 50-400 Hz (Z202), 85..265 Vac/dc (Z202-H); loop powered 5..28 Vdc (Z202-LP)
- ISOLATION: 3.750 Vac (output // power supply), 1.500 Vac (other circuits) (Z202); 4.000 Vac (Z202-H, Z202-LP)

APPLICATION CASE



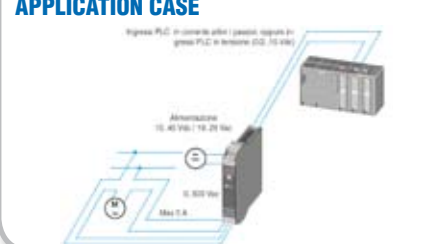
Z203

Single-Phase Network Analyzer



- Power supply: 9..40 Vdc; 8..28 Vac - 50-60 Hz
- Input: voltage 0..500 Vac, current 0.5 A
- Output: current 0..20 / 4..20 mA; voltage 0.5 / 0..10 / 1..5 / 2..10 V
- Accuracy: 0,5%
- Isolation: 3.750 Vac (from/to power); 1.500 Vac (other circuits)
- Dimension (w x h x d): 17,5 x 100 x 112 mm

APPLICATION CASE



ADVANCED THREE-PHASE NETWORK ANALYZERS

S203T

Advanced Three-Phases Network Analyzer (input up to 100 mA)



- Power supply: 10-40 Vdc, 19-28 Vac 50-60 Hz
- Serial interface: RS485 isolated, ModBUS/RTU protocol
- Voltage input: capacity measure=600 Vac, freq. 50 or 60Hz
- Current input: up to 100 mA
- Re-transmitted output by voltage / current (error max 0,1%)
- Accuracy class: 0,2

S203TA

Three-Phase Advanced Network Analyzer (input up to 5 Arms)



- Power supply: 10-40 Vdc, 19-28 Vac 50-60 Hz
- Serial interface: RS485 isolated, ModBUS/RTU protocol
- Voltage input: max=600 Vac, freq. 50 or 60Hz
- Current input: up to 5 Arms
- Re-transmission as analogue output voltage / current (error max 0,1%)
- Accuracy class: 0,2

