

Z-KEY

INDUSTRIAL GATEWAY
SERIAL DEVICE SERVER

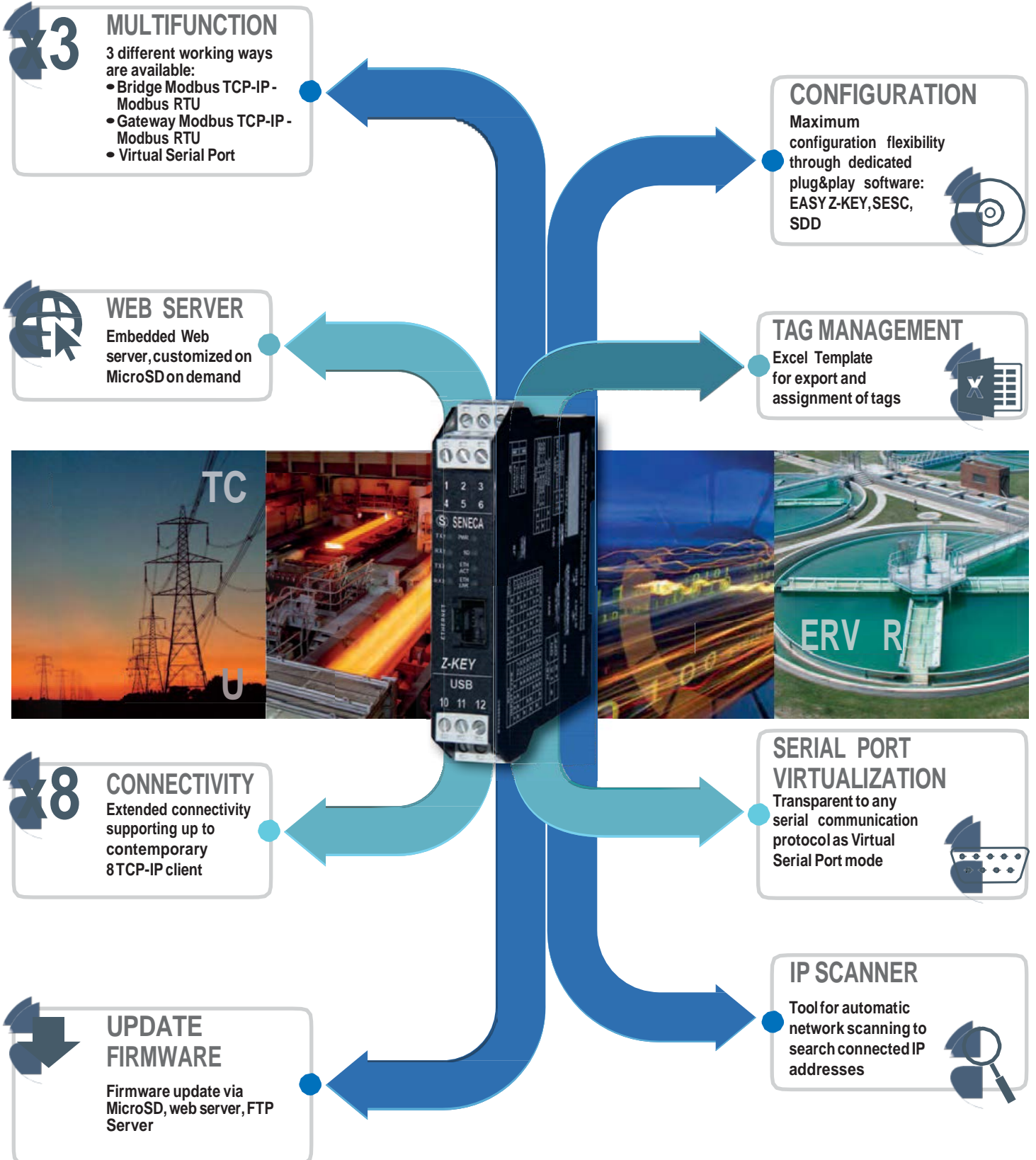


*Your serial and Ethernet devices
always reachable*



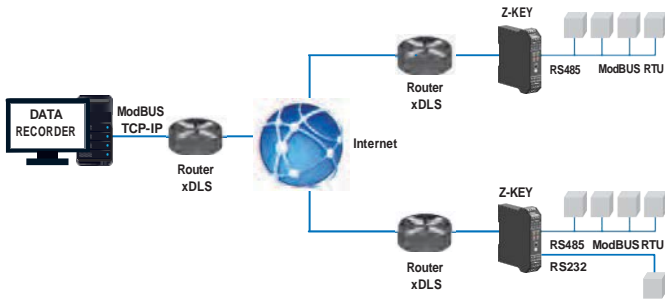
Z-KEY INDUSTRIAL GATEWAY - SERIAL DEVICE SERVER

Z-KEY can extend existing networks allowing the process data flow between different layer of IT and industrial communication architecture. Z-KEY is useful for MODBUS RTU / TCP-IP communication acting in different working mode and increasing the number of nodes and distances within the network. The device can also extend a serial network working as transparent Remote virtual COM with any serial communication protocol.

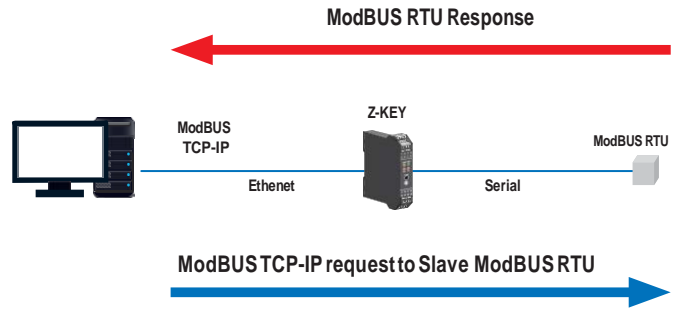


APPLICATION NOTE

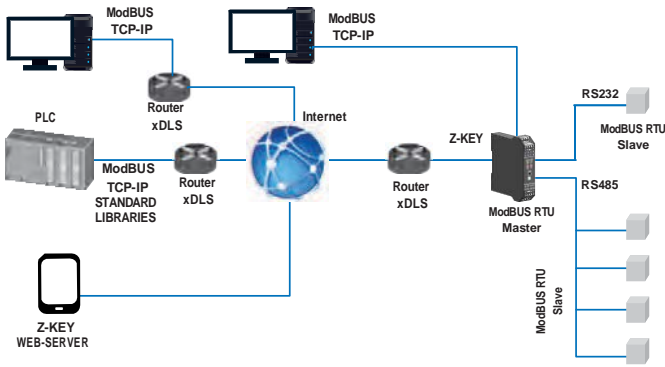
Bridge Modbus TCP-IP – Modbus RTU (1)



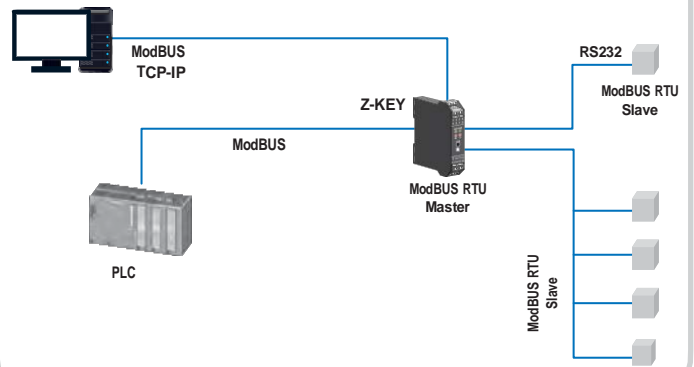
Bridge Modbus TCP-IP – Modbus RTU (2)



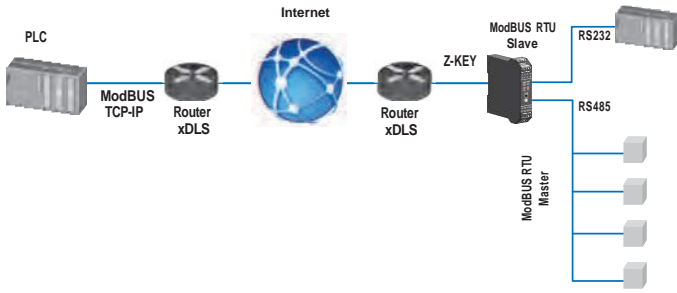
Gateway Modbus TCP-IP - Modbus RTU, 2 Master ports (1)



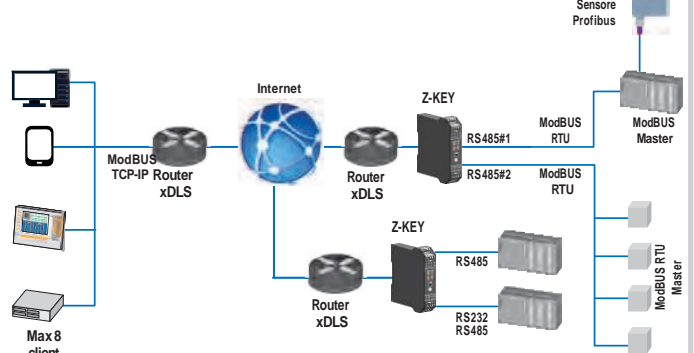
Gateway Modbus TCP-IP - Modbus RTU, 2 Master ports (2)



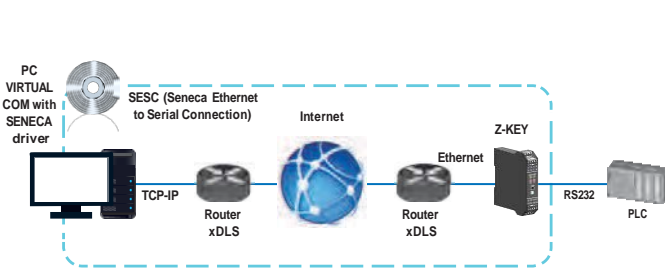
Gateway Modbus TCP-IP - Modbus RTU, 1 Master port, 1 Slave port



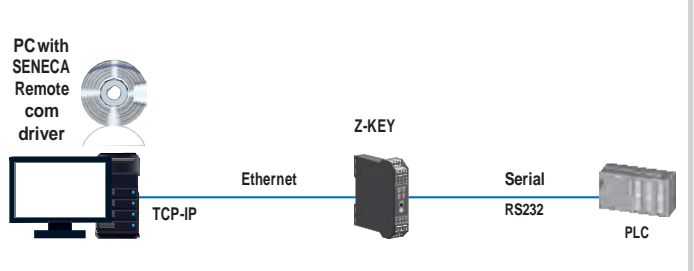
Gateway Modbus TCP-IP - Modbus RTU, 2 Slave ports



Remote Serial Port COM (1)

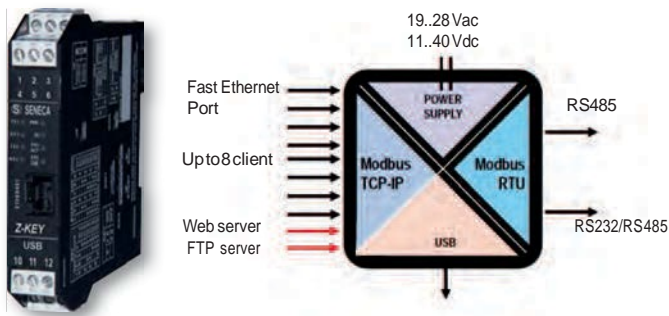


Remote Serial Port COM (2)



Z-KEY

INDUSTRIAL GATEWAY - SERIAL DEVICE SERVER



Z-KEY is a device with integrated communication with functions like Bridge, Ethernet / Modbus Gateway (from Modbus RTU to Modbus TCP) and Virtual COM.

There are available 1 Fast Ethernet port 10/100 Mbps e 2 serial ports (RS485, RS232 / RS485), and Z-KEY can also be configured from remote through Excel template, built in web server and dedicated software (SESC, SDD, EASY Z-KEY).

In gateway mode the device can collect 500 tags; In bridge mode Z-KEY can collect a virtually unlimited number of tags.

TECHNICAL FEATURES

GENERAL DATA

Power supply	11..40 Vdc, 19..28 Vac (50-60 Hz)
Consumption	2W @ 24 Vac (typical)
Isolation	1,5 kVac
State indicators	Power supply, serial communication, Ethernet connection, microSD in use
Pollution degree	2
Protection degree	IP20
Enclosure	Nylon 6 with 30% glass fiber, V0 self-extinguished class
Installation	35 mm DIN rail guide
Connections	Removable terminal block
Operating Temperature	-20..+70 °C
Dimensions	17,5x100x112 mm
Weight	170g

COMMUNICATION

Ethernet	Nr. 1 Fast Ethernet PORT 10/100TxRJ45 on frontal Up to 8 simultaneous client Modbus TCP-IP supported
Serial	Nr. 1 RS232/485 port switchable, baud rate max 115k on terminals Nr. 1 RS485 port, baud rate max 115k on IDC10 connector
USB	Nr. 1 microUSB port
Supported protocols	Modbus TCP-IP, Modbus RTU
Working mode	Bridge ModBUS TCP-IP - Modbus RTU Gateway ModBUS TCP-IP - Modbus RTU, 2 Master port Gateway ModBUS TCP-IP - Modbus RTU, 1 Master port, 1 Slave port Gateway ModBUS TCP-IP - Modbus RTU, 2 Slave port Remote Serial Port COM on RS232/RS485 switchable port

CPU, MEMORY

CPU	ARM32 bit
SlotpermicroSD	Yes
Supported memories	Up to 32 GB HC

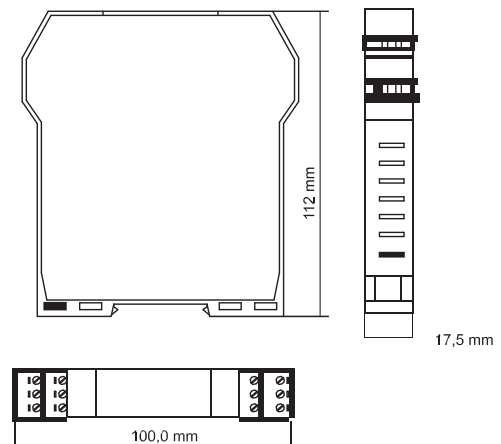
PROGRAMMING

Software	EASY SETUP, Template Excel (tag), SDD, SESC, EASY Z-KEY
Webserver	Yes

STANDARD

Approval	CE
Rules	EN61000-6-4, EN61000-6-2, EN61010-1

DIMENSION



ORDER CODE

Code	Description
Z-KEY-0	Modbus / Ethernet Industrial Gateway – Serial Device Server

SOFTWARE

EASY Z-KEY	Basic configuration tool for IP address
SESC	SENECA Ethernet to Serial Connection per Z-KEY, Z-PASS1, Z-PASS2
SDD	SENECA Discovery Device, IP scanner per Z-KEY, Z-PASS1, Z-PASS2

ACCESSORIES

PM004610	Serial communication cable Z-KEY (DB9M / MEF 10-12)
MSD	microSD with adaptor
KIT-USB	Programming toolkit for USB interface instruments
Z-PC-DINAL2-17.5	Back rail 17,5 mm width modules – Power/Bus conn. + 1 slot

